

MIFARE/EM RFID CONTROLLER

E1080 – WEB Based



E1080A

E1080B



E1080 is a MIFARE® /EM multi-door access controller. It controls Main+8 doors via RS485 connection. It reads MIFARE 1 Contactless Smart/EM Proximity Card. It is designed to use in access control system such as door, lift and car parking access control system. It has industrial standard Wiegand 26 output and hence compatible with different kind of access controllers in the market.

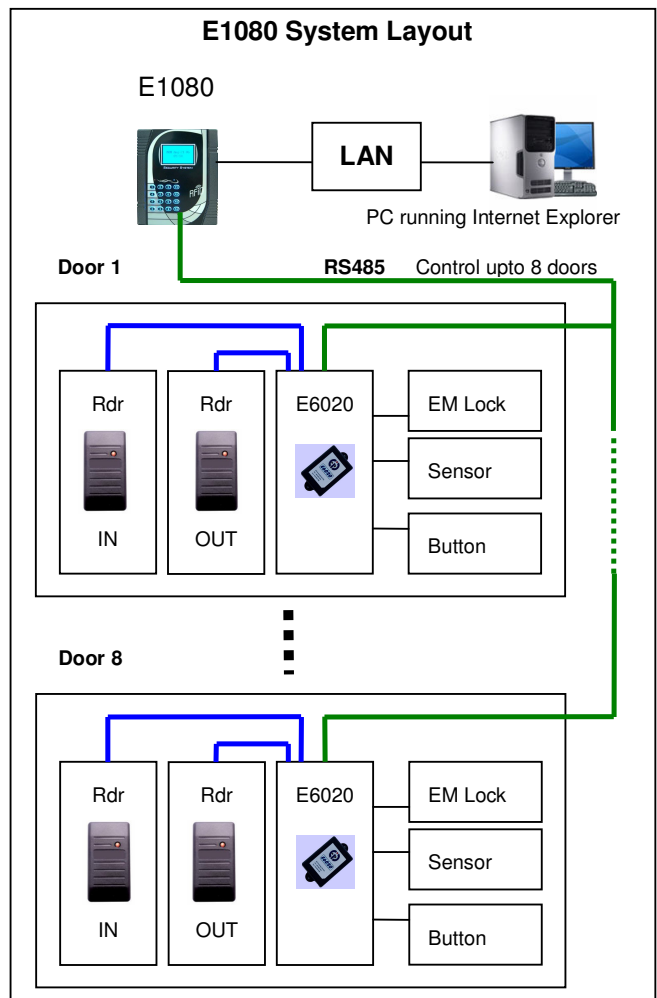
Specifications

Description	Specifications / Functions	
Model	E1080AE (EM)	E1080AM (MIFARE)
Frequency Range	125 KHz	13.56 MHz
Power Consumption	9 ~ 30V DC 1000mA Regulated DC recommended	
Tag	EM4100 Tag	MIFARE
Communication	TCP/IP, RS485	
Reader	Built-in EM Reader	Built-in MIFARE®Reader
Reading range	5 - 15 cm	5 - 7 cm
Reading Indicator	Buzzer, Red and GreenLED	
Antenna	Built-in Antenna	
Doors/Points	Supports 8 Doors (16 readers, IN/OUT)	
Operating temperature	0°C ~ 65°C	
Operating humidity	5% - 95% relative non-condensing humidity	
Display	128 x 64 Pixels LCD, 2 LED indicators	
Keypad	10 Numeric Keys, 6 Function Keys	
Memory	2000 users/cards, 65000 access logs	
Dimension	170mm x 143mm x 48mm	

mifare®EM

Features

- ❑ Control Main+8 doors
- ❑ User-friendly WEB based interface management software – Control and View over Internet
- ❑ Supports Master-Slave mode when multiple E1080 are used
- ❑ User-definable 100 holidays, 40 function key-sets, 255 time zones, 200 user groups.
- ❑ Elevator control up to 12 Lifts/128 Floors
- ❑ Unlimited Anti-passback level
- ❑ Works with most of the common Wiegand 26/34 readers in the market



For further information, please contact