

# EM RFID Proximity Reader

## E2062EW



E2062EW is a EM RFID proximity reader. It reads EM4100 ID Tag. It is designed for use in access control system such as door, lift and car parking access control system. It has industrial standard Wiegand 26 output and hence compatible with different kind of access controllers in the market.

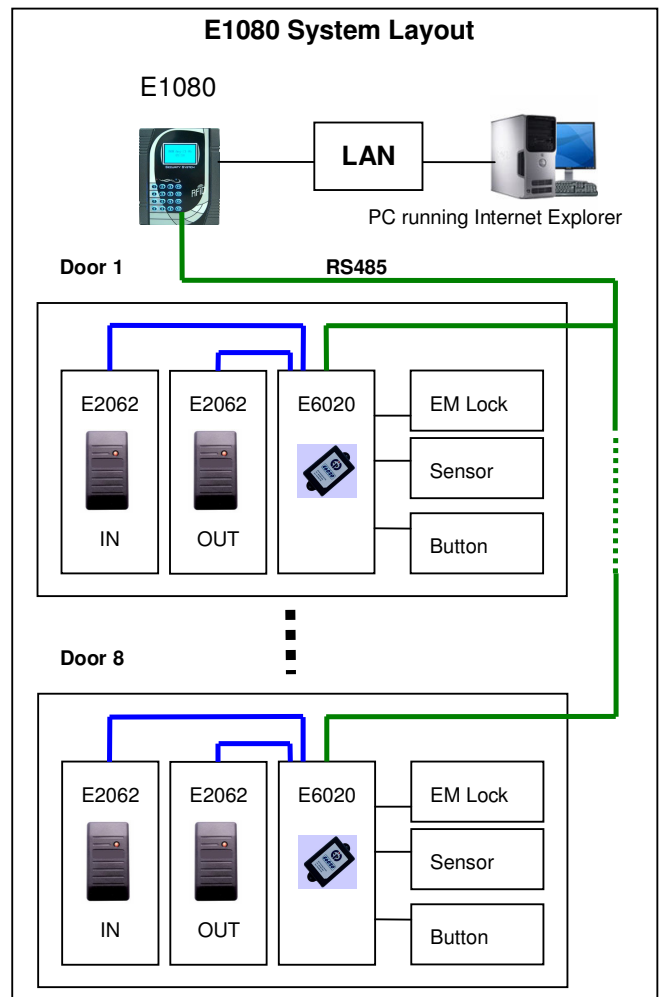
### Specifications

Description	Specifications / Functions
Frequency Range	125 KHz
Power Consumption	9 ~ 15V DC 1000mA Regulated DC recommended
Tag	Standard MIFARE 1 Contactless Smart Card
Communication Interface	Wiegand 26
Reading range	5 – 15 cm
Reading Indicator	Buzzer, Red and Green LED
Antenna	Built-in Antenna
Operating temperature	-30°C ~ +60°C, water-proof
Operating humidity	5% - 95% relative non-condensing humidity
Dimension	43mm × 80mm × 13mm
Weight	60g

# EM

### Features

- ❑ Reads EM4100 ID Tag
- ❑ Water Proof
- ❑ Built-in antenna
- ❑ Compact size
- ❑ Suitable in door, car parking, lift and lift hall call access control
- ❑ Seamlessly work with WEB-based E1080 Multi-Door Controller to support car park and door access control.



For further information, please contact