

E6050 Relay Box

E Series Intelligent Access Control Devices

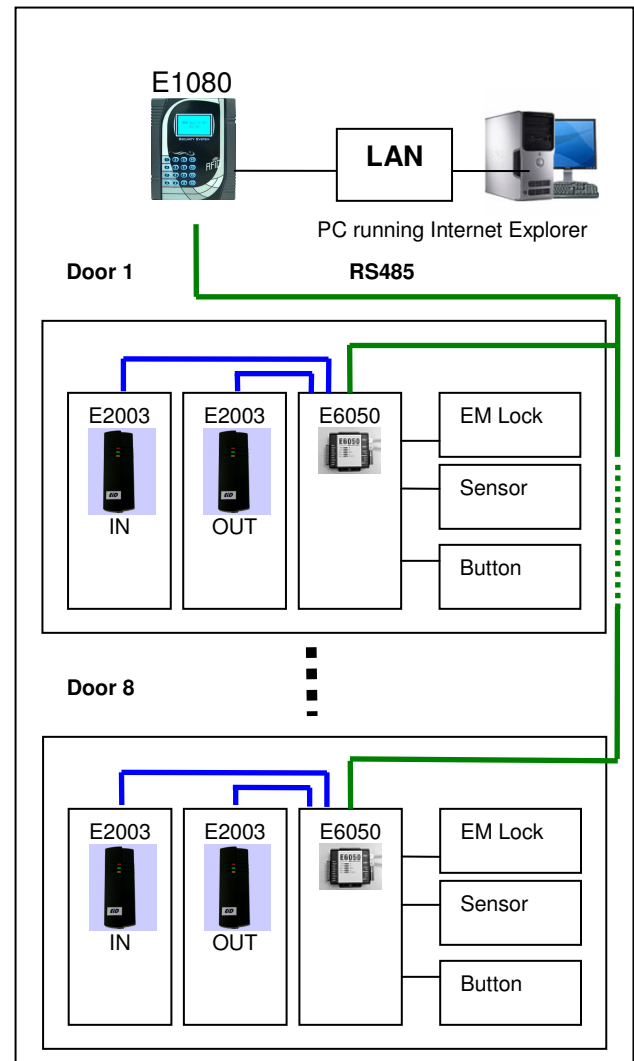


Specifications

Description	Specifications / Functions
Power	9 ~ 24V DC <900mA
Consumption	Regulated DC recommended
Indicator	Buzzer, LED
Communication Interface	RS485
Input	Two inputs for door ajar sensor and exit button
Output	Three relays for lock and other security triggers
Wiegand input	Two Wiegand Reader Input (W26/34)
Relay capacity	3 (3A/125VAC/30VDC)
Dimension	90mm x 70mm x 27mm

Features

- ❑ Work with E1080 / E2003 / E2062 / E3030 / E3060 to control single door
- ❑ Split system to provide more security to door access
- ❑ Built-in watch dog to ensure robustness
- ❑ Flexibility in using third-party readers
- ❑ Compact size for easy installation
- ❑ Monitoring door status over the web
- ❑ Configurable emergency mode to use exit button
- ❑ Extra relays for integration to access security system
- ❑ Seamlessly work with WEB-based E1080 Multi-Door Controller to support car park and door access control



For further information, please contact

