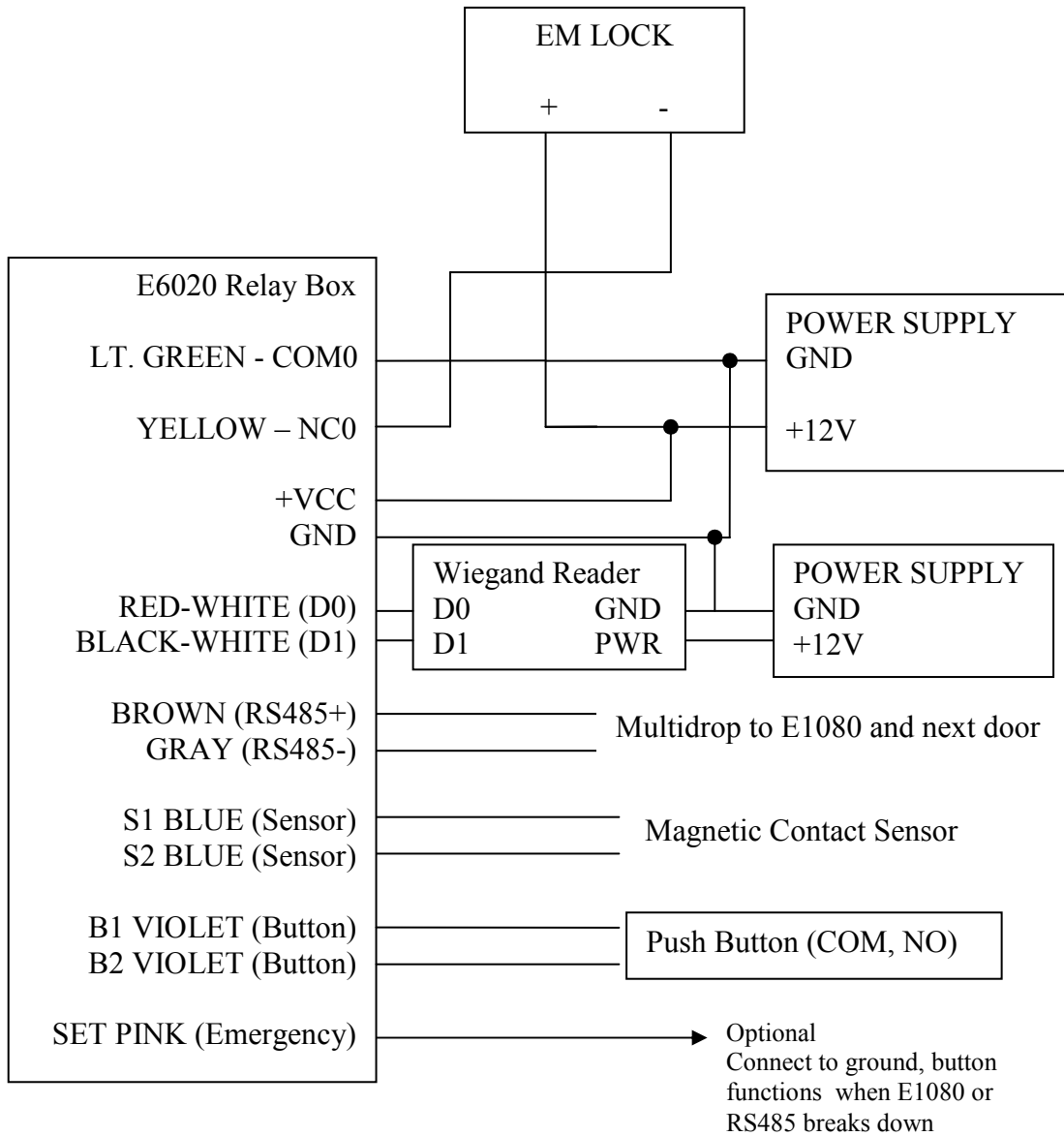


# E6020 Wiring Method

## Door – EM Lock, Button, Sensor



**NOTE: If the Wiegand Reader are not sharing the same power with E6020, make sure they are having the same common GROUND.**